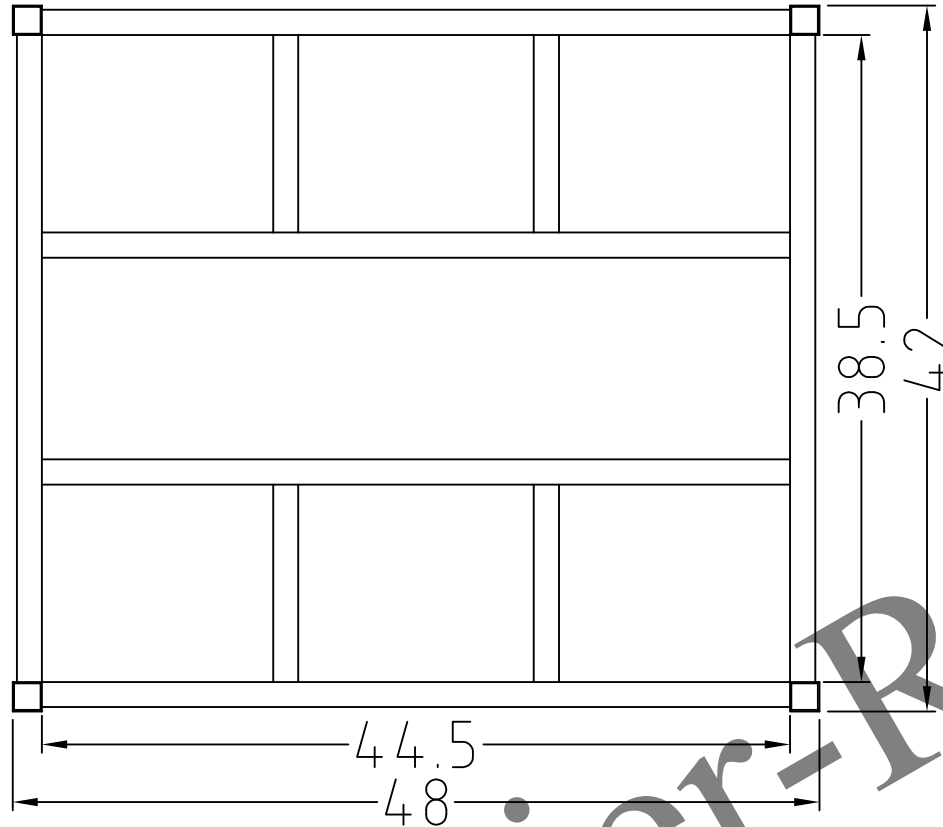


BASE VIEW



THANK YOU FOR YOUR ORDER, PLEASE REVIEW THIS DRAWING, SIGN AND FAX TO ORDER DEPT. UPON RECEIPT WE WILL PROCESS YOUR ORDER.

SIGNATURE _____

DATE APPROVED _____

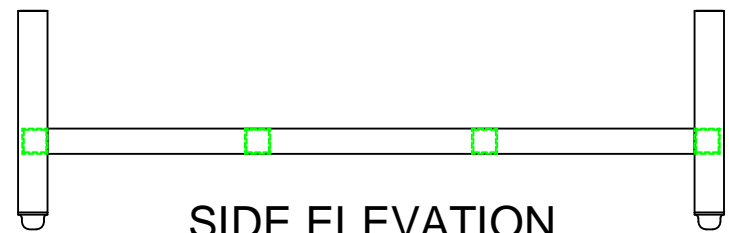
THIS DRAWING IS THE PROPERTY OF TIER-RACK CORP. AND IT IS LOANED UPON THE CONDITION THAT IT IS NOT TO BE REPRODUCED, COPIED, IN WHOLE OR IN PART BY ANY MEANS, OR RELEASED TO OTHERS WITHOUT THE EXPRESSED WRITTEN PERMISSION OF TIER-RACK CORP. THIS DRAWING IS TO BE RETURNED UPON REQUEST. VIOLATORS WILL BE PROSECUTED.

Notes:

2000# CAPACITY



FRONT ELEVATION



SIDE ELEVATION

Designed by CC	Checked by -	Approved by - date -	Filename SC-TN-4248L	Date 11/2/05	Scale YES
TIER-RACK			STOCK # : SC-TN-4248L		
			1-800-325-7869		Edition 1